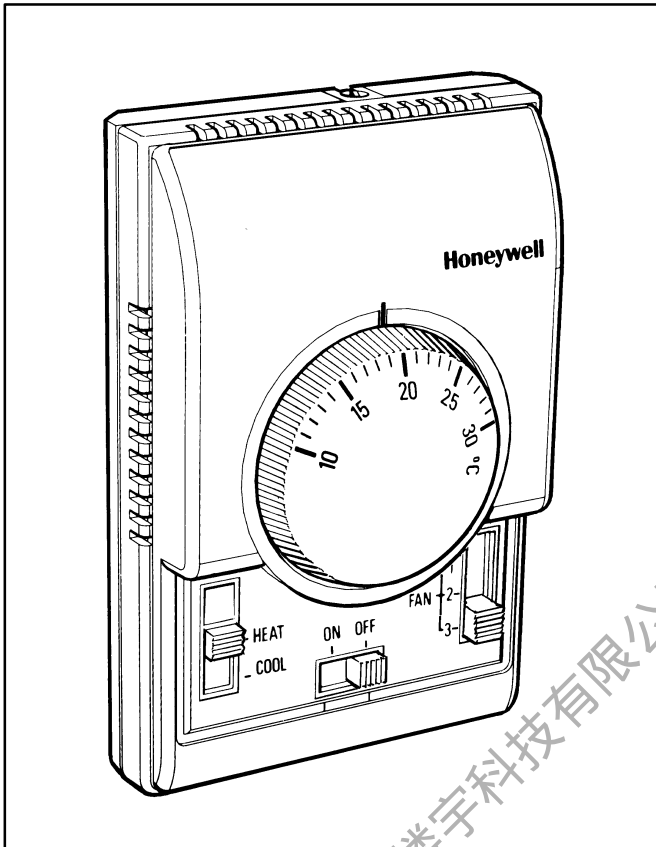


## XE70 SERIES

## T6374/T6375 FAN-COIL THERMOSTATS 4-PIPE FAN-COIL CONTROL

### PRODUCT SPECIFICATION SHEET



The T6374 and T6375 are designed to control the valves, or the valves and the fan in 4-pipe fan-coil applications, with the possibility of also being used for control of split units and small air conditioners.

The thermostat operates the on/off valves to provide control at the desired setpoint temperature.

The fan can also be controlled from the thermostat. It is wired to run continuously, and can be switched off with the system ON/OFF switch.

Versions are available with a manual 3-SPEED FAN switch, and with a system ON/OFF switch.

Heat/cool changeover operation is also possible on some versions. This function can be accomplished by a manually operated HEAT/ COOL switch on the front of the thermostat, or in some versions, automatically by means of a fixed deadband built into the thermostat between the heating and cooling setpoints.

## FEATURES

- Dual diaphragm sensing element ensures close temperature control for all loads and applications
- Attractive modern styling makes this thermostat ideal for locating in the occupied space, particularly in offices or hotels
- Versions with heat anticipator, which improves temperature control in both heating and cooling operation
- Thermostat mounts directly onto a wall or conduit box
- Slide switches allow manual control of system operation and fan speed
- Versions available with fixed deadband between heating and cooling operation
- Optional extras available are :
  - range stops F42006646-001
  - tamperproof cover F42008489-001 (opaque), F42008489-002 (transparent)

## SPECIFICATIONS

Model	ON/OFF (SPST)	3-speed Fan (SPTT)	Fan/ Auto/Cont (SPDT)	Switches Heat/Cool (SPDT)	Heat/Cool (DPDT)	Heat/Off/ Cool (DPTT)	Heat/Fan/ Cool (DPTT)	Fixed Deadband	Auto Change-over (Aquistat)
T6374C1004								✓	
T6374C1012								✓	
T6375B1021	✓	✓							
T6375B1013	✓	✓					✓		
T6375C1003	✓	✓						✓	
T6375D1001	✓	✓			✓				

Setpoint range : 10...30°C. By means of a large setpoint dial

Supply voltage : 230 V~, 50...60 Hz

Thermostat switch : S.P.D.T.

Performance : Typical differential 1°C (heating & cooling) at 20°C at 50% load with anticipator connected

Electrical ratings : 4(2) A, 230 V~  
Typical loads are fans, zone valves and relays

Operational life : Greater than 100,000 cycles (all loads) for thermostat contacts at 230 V~  
Greater than 6,000 operations for all manually operated switches

Mounting : Mounts directly onto wall or wall-box (mounting screws supplied)

Wiring : Up to 9 screw-in terminals per unit, capable of accepting wires up to 1.5 mm<sup>2</sup>

Enclosure : Plastic 2-piece housing

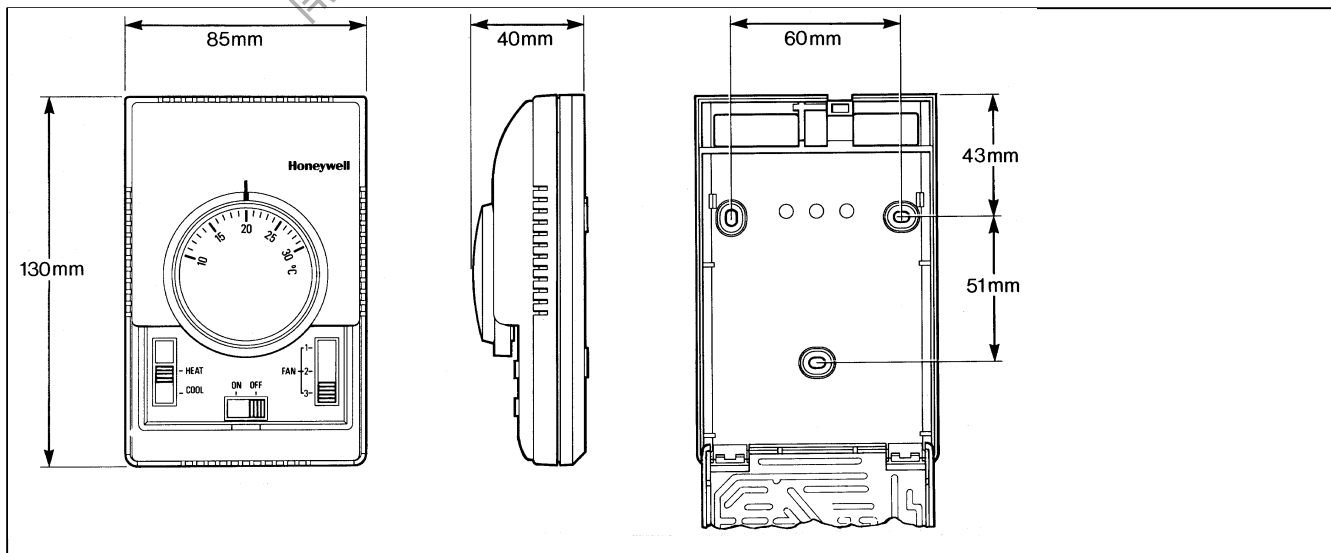
Dimensions : 85 x 130 x 40 mm (w x h x d).

Protection class : IP30

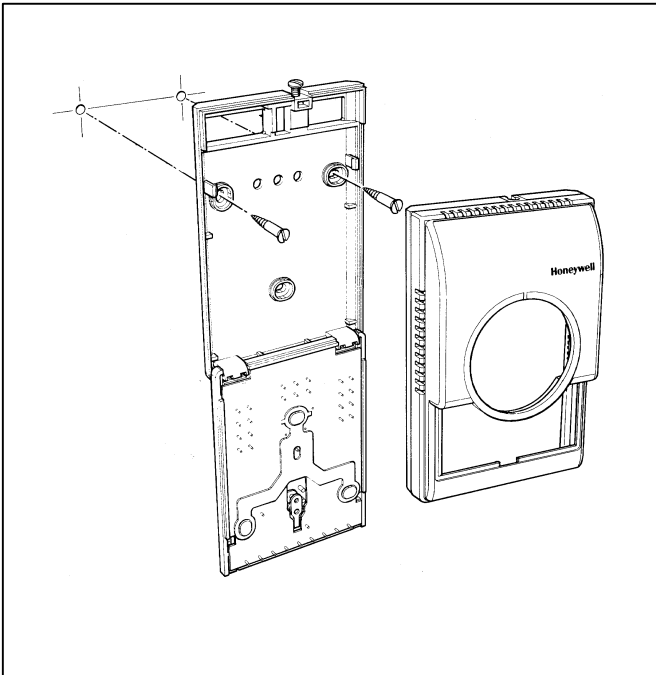
Environmental requirements : Operating temperature range 0 to 40°C  
Shipping and storage temperature range -20 to 50°C  
Humidity range 0 to 90% rh, non-condensing

Approvals : CE mark, complying with standards EN60730-1 (1995), EN55014-1 (1997), EN55014-2 (1996).  
Product must be wired as shown for CE compliance.

## DIMENSIONS



# INSTALLATION



## Location

The XE70 Series thermostat is the temperature control element in the fan-coil or air-conditioning system, and must be located in a position with good air circulation, on an inside wall about 1.5 m above the floor to sense the average temperature. Do not position the thermostat in draughts, near hot or cold air sources or where it will be affected by radiant heat from the sun or other appliances.

## Mounting the thermostat

Any XE70 Series thermostat can be directly mounted on the wall or on a conduit box (see diagram). Mounting screws are supplied for both alternatives.

## Wiring the thermostat

The standard wiring access is via a hole in the base of the thermostat, near the top edge.

### IMPORTANT

1. The installer must be a trained service engineer
2. Disconnect the power supply before beginning installation

# OPERATION

## Sensing element

The thermostat sensing element comprises two circular, flexible metal plates welded together at the rims and encapsulating a gas/liquid combination whose pressure changes in response to variations in temperature. This dual-diaphragm expands and contracts with ambient temperature changes to operate a snap-acting switch which controls the heating or cooling circuit.

## Heat anticipator

It is recommended that the heat anticipator is always connected for both heating and cooling operation.

## Switches

All switches are slide switches for ease of operation.

The ON/OFF switch is a system on/off switch, as it removes power from the thermostat.

The FAN SPEED switch allows selection of 3 different fan speeds, 1 (low), 2 (medium), and 3 (high)

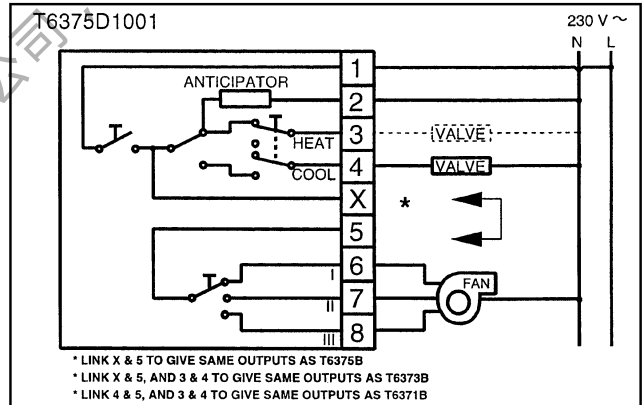
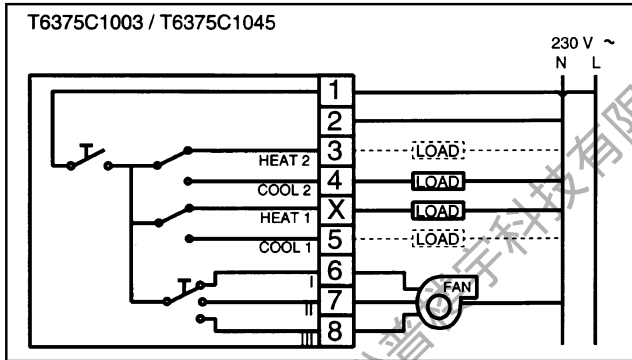
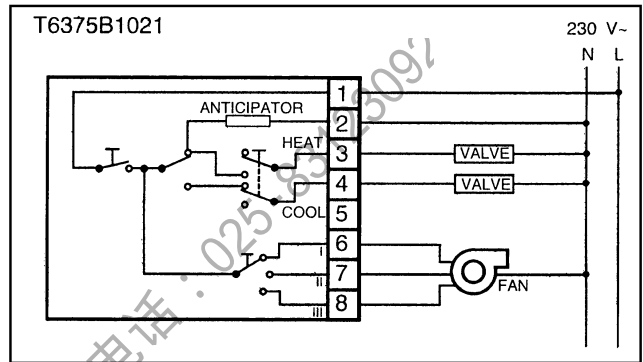
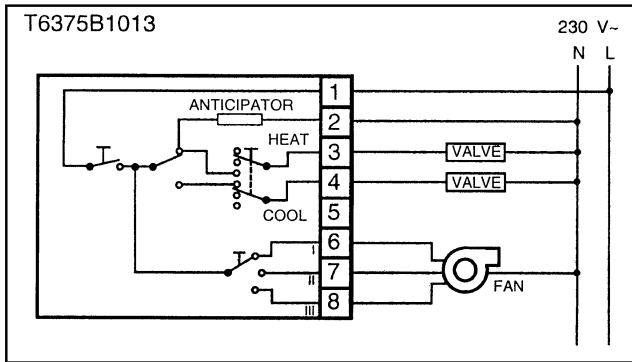
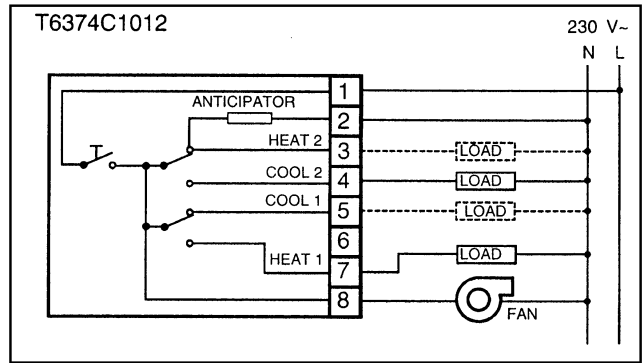
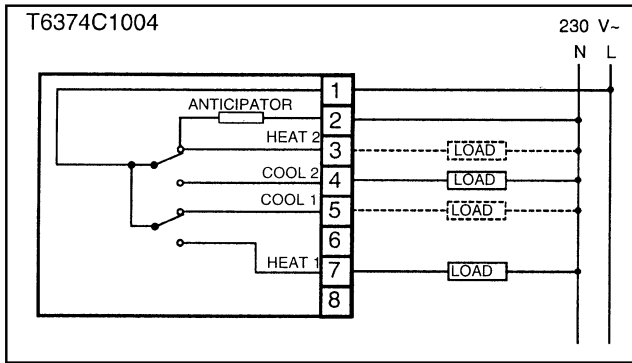
The DPDT HEAT/COOL switch allows selection of either heating or cooling operation. There are 2 output terminals controlled by this switch.

The HEAT/FAN/COOL switch allows selection of either heating or cooling operation, but also has an additional selection position which disables all outputs except that of the fan. The fan can be controlled separately, by the system ON/OFF switch.

# APPLICATION

		T6374C 1004	T6374C 1012	T6375B 1013	T6375B 1021	T6375C 1003	T6375D 1001
<b>Application</b>	Ventilation						*
	2-pipe fan-coil						*
	4-pipe fan-coil	*	*	*	*	*	*
	Heatpump						
<b>Control Capability</b>	Air-conditioner	*	*	*	*	*	*
	Heat or Cool						
	Heat/cool						
	Changeover (auto or manual)	auto	auto	manual	manual	auto	auto
	Fan control (auto or cont)		cont	cont	cont	cont	a or c
	Fan speed control			*	*	*	*
	Valve control	*	*	*	*	*	*
Compressor control							

# WIRING



南京松普电子科技有限公司 电话: 025-83335092

**Honeywell**

Honeywell Control Systems Limited  
 Newhouse Industrial Estate  
 Motherwell ML1 5SB  
 United Kingdom

<http://europe.hbc.honeywell.com>