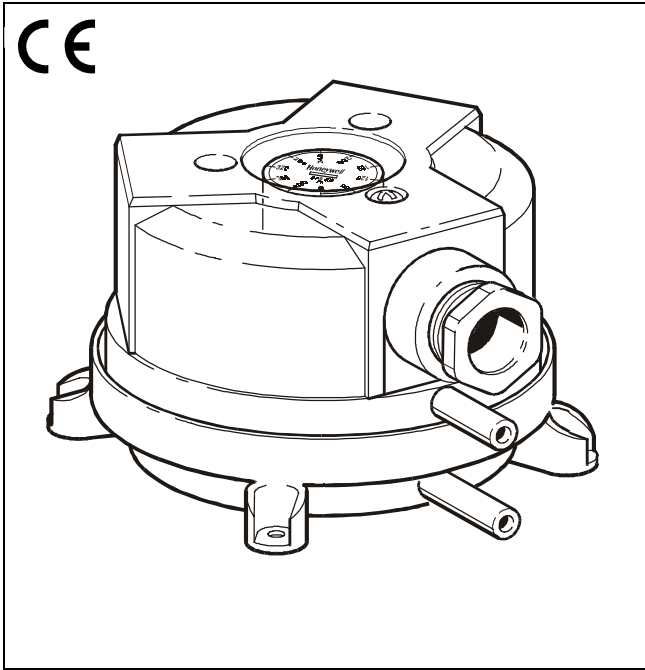


## Differential Pressure Switches DPS-Series FOR AIR CONDITIONING/VENTILATION – USER ADJUSTABLE

PRODUCT DATA



### Applications

Differential pressure switch e.g. for monitoring filter, fan, fire damper or air flow status of air handling systems.

### Benefits

- Switching point easily adjustable with scale in Pascal
- Direction of PG 11 conduit entry rotatable in steps of 120°
- Only one screw needed for housing cover

### Pressure medium

Air, non-inflammable and non-aggressive gases

### Specifications

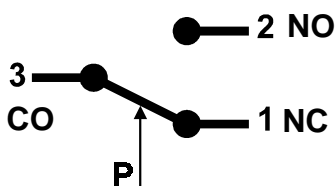
Max. operating pressure:	5000 Pa
Pressure connections:	2 plastic tubes Ø 6.0 mm outside.
Switching capacity:	1.5 A (0.4)/250 V~
Electrical connections:	AMP connectors 6.3 x 0.8 DIN 46244 or screw terminals
Conduit entry	PG 11
Protection class:	IP 54
Mounting lugs:	integrated in bottom housing
Medium/ambient temp.:	- 20 °C – + 85 °C
Storage temperature:	- 40 °C – + 85 °C
Membrane material:	Silicone

### Operating ranges

type	adjustment range for <b>upper</b> trip pressure from to	switching difference (hysteresis)
DPS 200	20 – 200 (Pa)	10 (Pa)
DPS 400	40 – 400 (Pa)	20 (Pa)
DPS 1000	200 – 1000 (Pa)	100 (Pa)
DPS 2500	500 – 2500 (Pa)	150 (Pa)

The trip pressure refers to vertical mounting. In case of horizontal mounting (with cover position upwards) the range values increase by 20 Pa.

### Arrangement of contacts



Switch off power before removing cover!

### Approvals

approval according to low voltage directive EEC 73/23.

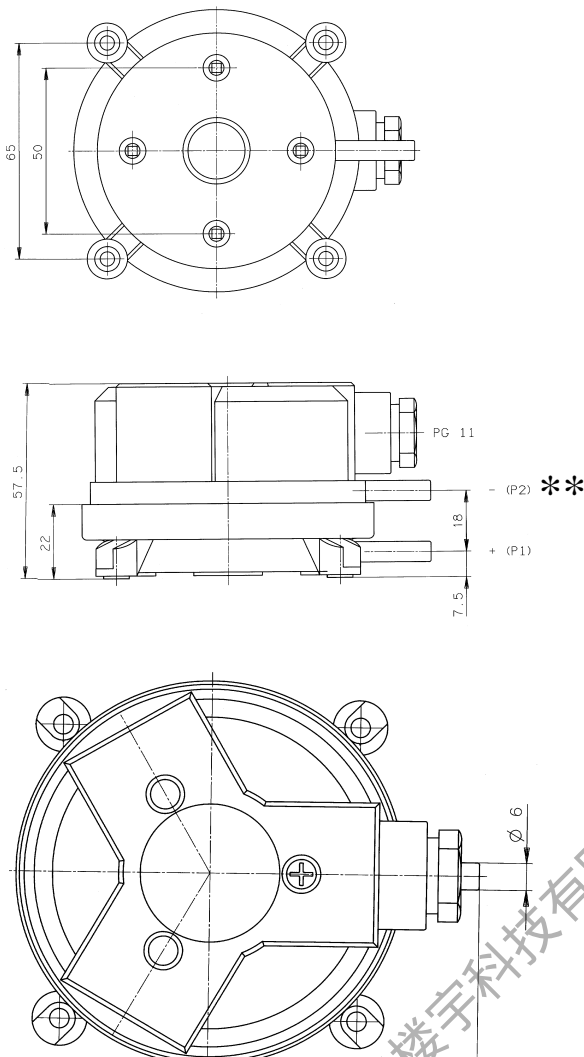
Switch according to VDE 0630. EN-1854.

### Accessories

- DPSK\* Duct Kit, including 2 m of silicone-hose and 2 joining pipes DPSJ with screws.\*
- DPSL Mounting brackets L-shaped
- DPST\* Set of 3 push-on screw terminals for AMP connectors.\*

\* Included in delivery of single package

### Dimensions



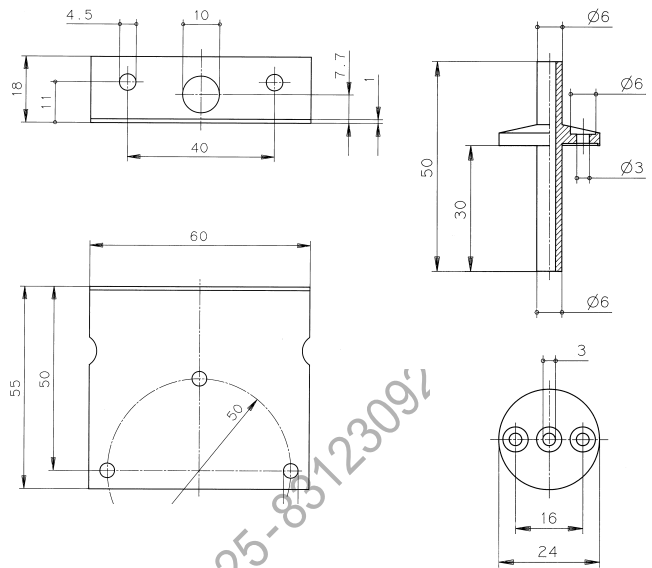
#### Pressure Switch DPS-Series

- Different cover positions possible
- Cable fitting removable for installation

\* Use 2 screws only for mounting lugs!  
 \*\* Remove transport protection from P2!  
 Don't install upside down with trip pressures < 50 Pa!

P1 higher pressure  
 P2 lower pressure

### Options / Accessories



**DPSL**  
 L-shaped mounting brackets

**Joining pipe, DPSJ**  
 L-shaped mounting brackets  
 (part of DSPK duct kit)

 **DPST** Screw Terminal

#### Content of delivery (for single package)

- 1 DPS Differential Pressure Switch
- 1 Data Sheet with installation information
- 1 DPS kit consisting of:  
 2 m of silicon hose,  
 2 joining pipes DPSJ with 4 screws,  
 2 self tapping screws for mounting of housing  
 3 terminal screws for electrical installation

#### Optional accessories

DPSL L-shaped mounting bracket,  
 for e.g. vertical installation below ceilings  
 including 2 screws

Bulk package available on request



#### Home and Building Control Products

Honeywell AG  
 Böblinger Straße 17  
 D-71101 Schönaich  
 Phone (49-7031) 637-01  
 Fax (49-7031) 637-493

